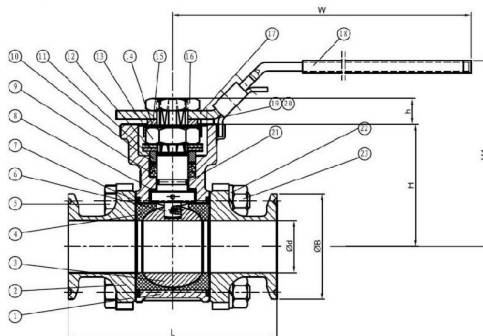


## Stainless steel clamp end ball valve, 3 pieces.

### Features

1. Stainless steel full port ball valve, 3 pieces.
2. Clamp ends in inches (BS 4825-3).
3. Made of stainless steel 1.4408 (CF8M).
4. Cavity filled seats PTFE.
5. Direct mounting actuator ISO 5211.
6. O'ring in the stem FKM (Viton).
7. Anti - static device.
8. Locking system.
9. Polish internal Body and Ball surface (Ra 0,8  $\mu$ m).
10. Electro polished external.
11. Max. working pressure 25 bar (400 WOG).
12. Working Temperature  $-25\text{ }^{\circ}\text{C} + 180\text{ }^{\circ}\text{C}$



Ref.	Medida / Size	PN	Dimensiones / Dimensions (mm)							
			$\varnothing d$	$\varnothing B$	L	H	H1	h	W	ISO 5211
33 04	1/2"	25	9.5	25.4	90	42	72	9	145	F03 / F04
33 05	3/4"	25	15.8	25.4	90	48.5	77	9	145	F03 / F04 / F05
33 06	1"	25	22.2	50.5	100	58.5	88	11	175	F04 / F05
33 08	1 1/2"	25	34.9	50.5	125	70.3	105.5	14	190	F05 / F07
33 09	2"	25	47.6	64	150	77.7	123	14	190	F05 / F07
33 10	2 1/2"	25	60.3	77.5	190	100	150	17	260	F07 / F10
33 11	3"	25	72.9	91	220	108	159	17	260	F07 / F10
33 12	4"	25	97.6	119	270	140	198	22	400	F10

### CURVA PRESION TEMPERATURA / PRESSURE TEMPERATURE RATING

